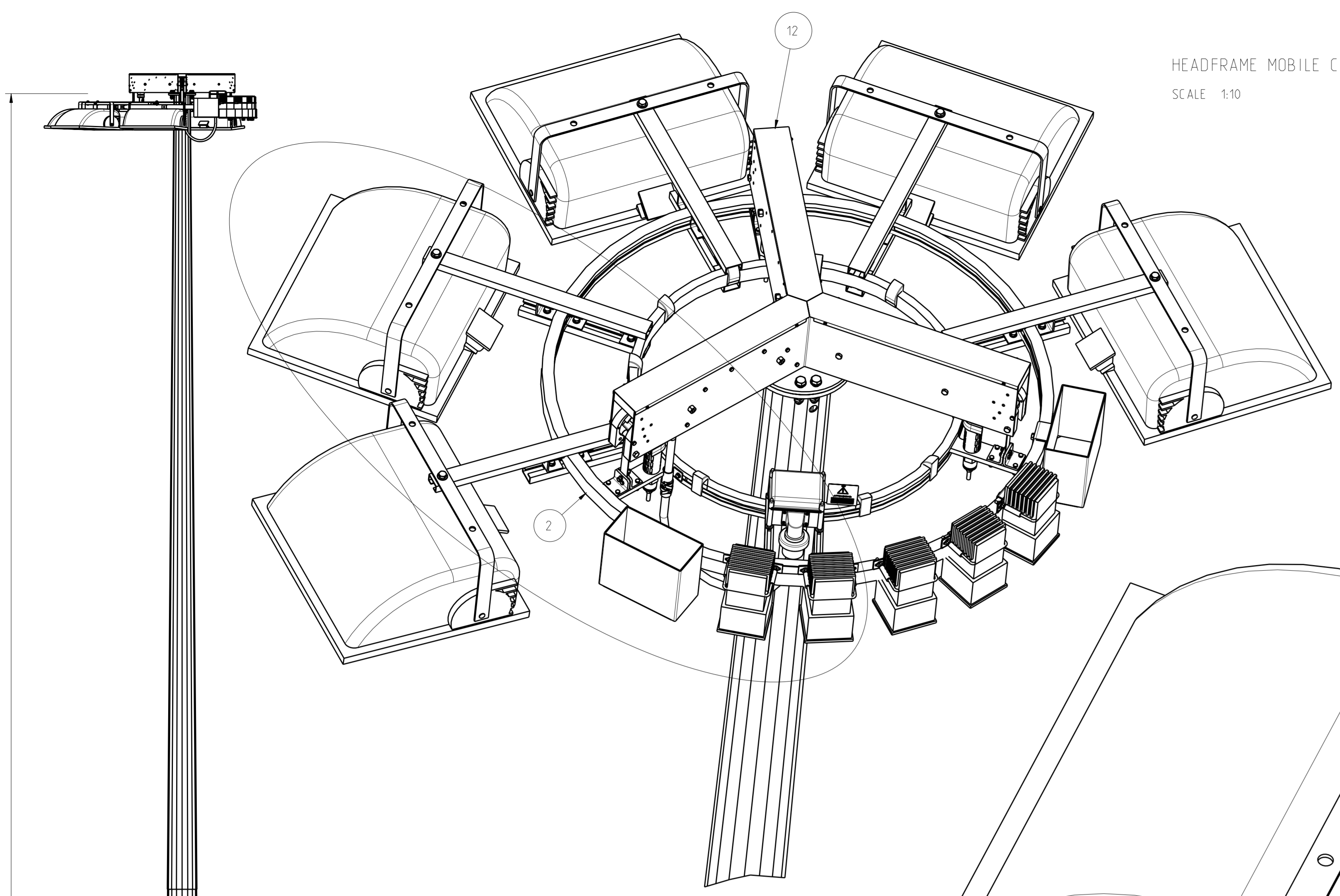
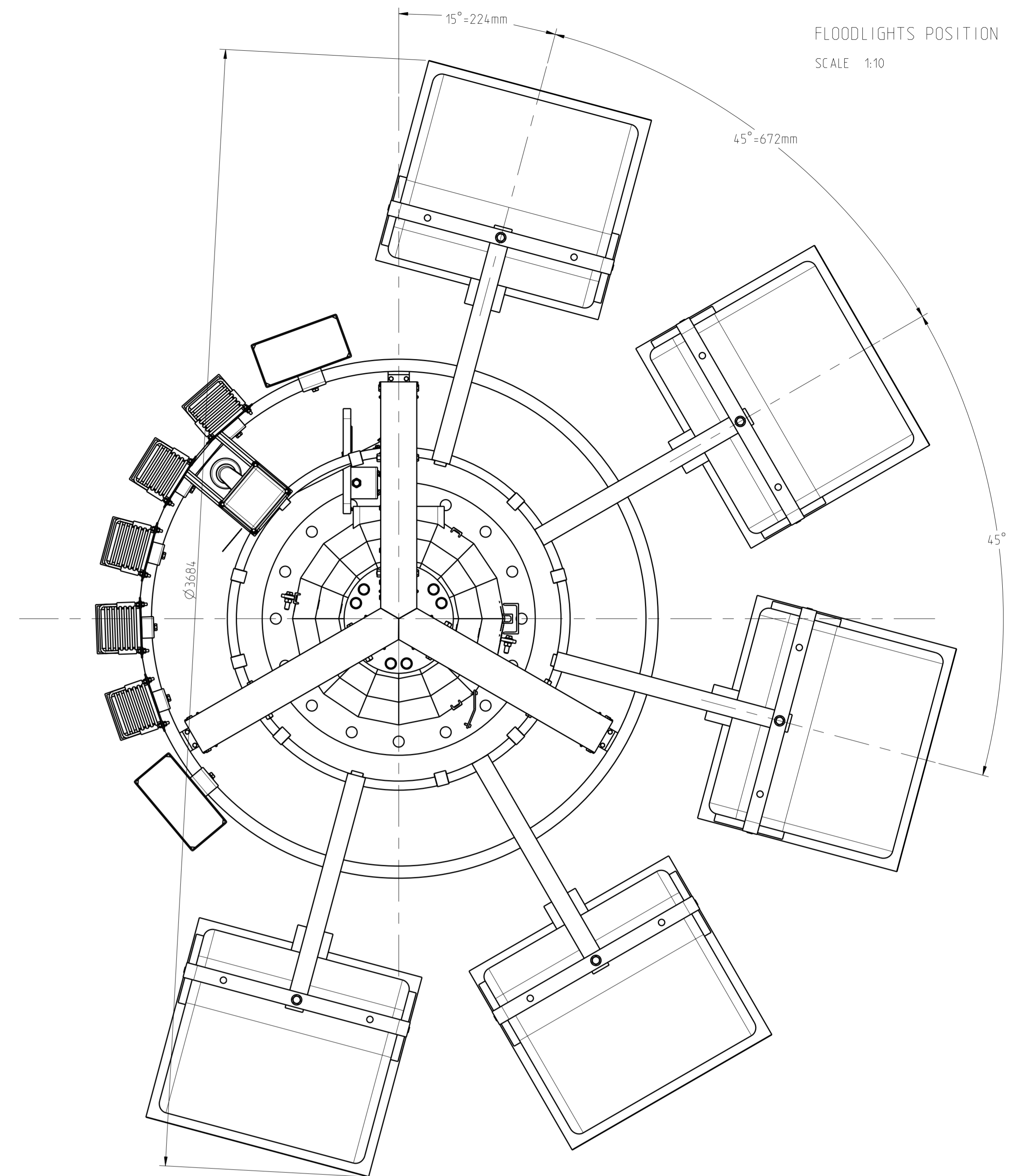


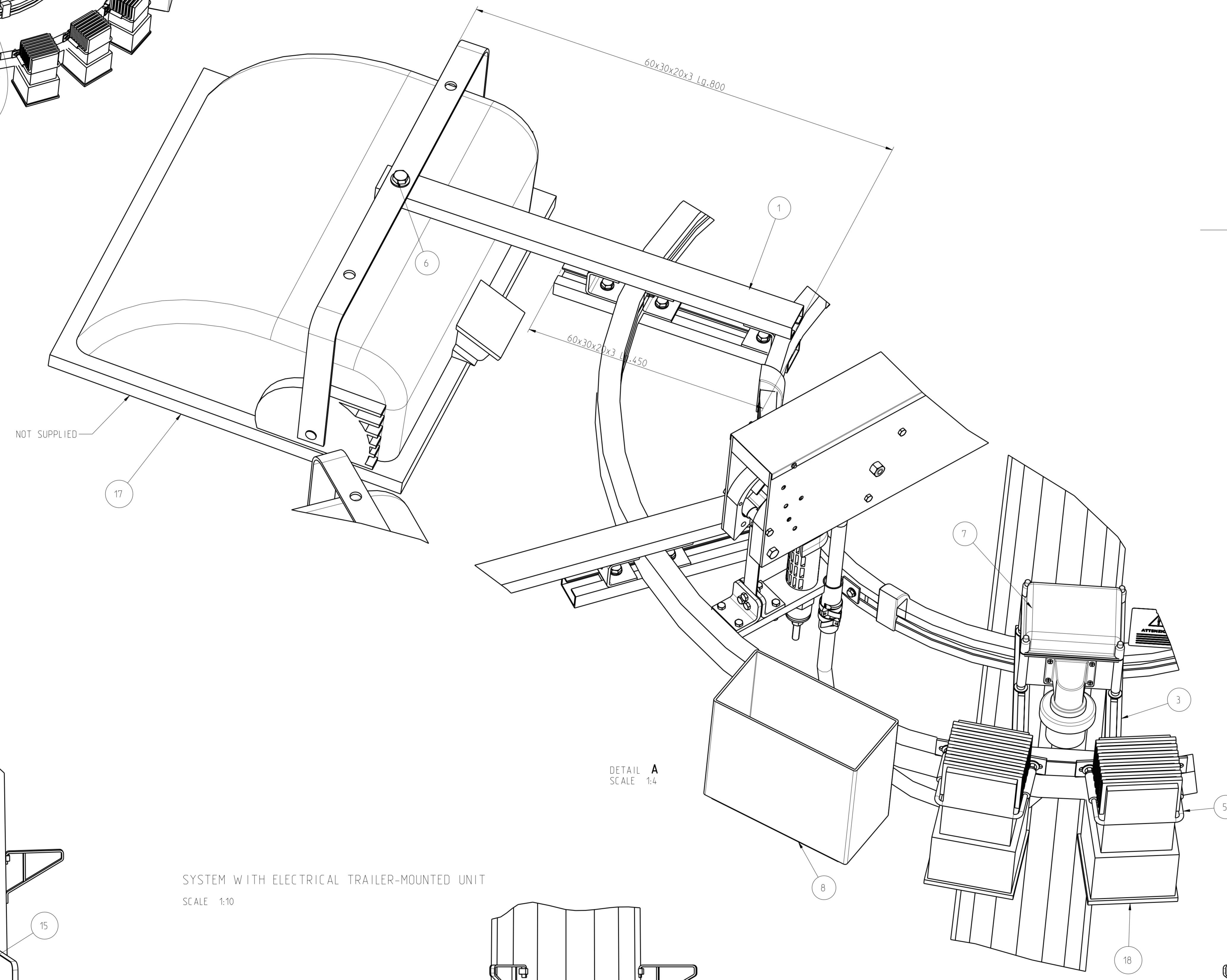
N.	TRONCO COLUMN	TORRI POLIGONALI POLYGONAL MAST				MODELLO CODE	QUOTE DI INNESTO PING LENGTH			FORZA MASSIMA DI INNESTO MAXIMUM JOINT FORCE F. (kgf)
		DIAMETRO DI BASE LOWER DIAMETER	DIAMETRO DI PUNTA UPPER DIAMETER	SPESORE THICKNESS	ALTEZZA LENGTH		MINIMO MINIMUM	NOMINALE NOMINAL	MASSIMO MAXIMUM	
1	SB1660000000059	395.000	220.000	4.000	10600.000	SB1660000000059	580.500	750.000	900.000	3711.000
2	SB1660000000060	700.000	525.000	4.000	10600.000	SB1660000000060	0.000	0.000	0.000	0.000
3	SB1660000000061	550.000	375.000	4.000	10600.000	SB1660000000061	813.000	1050.000	1260.000	5195.000



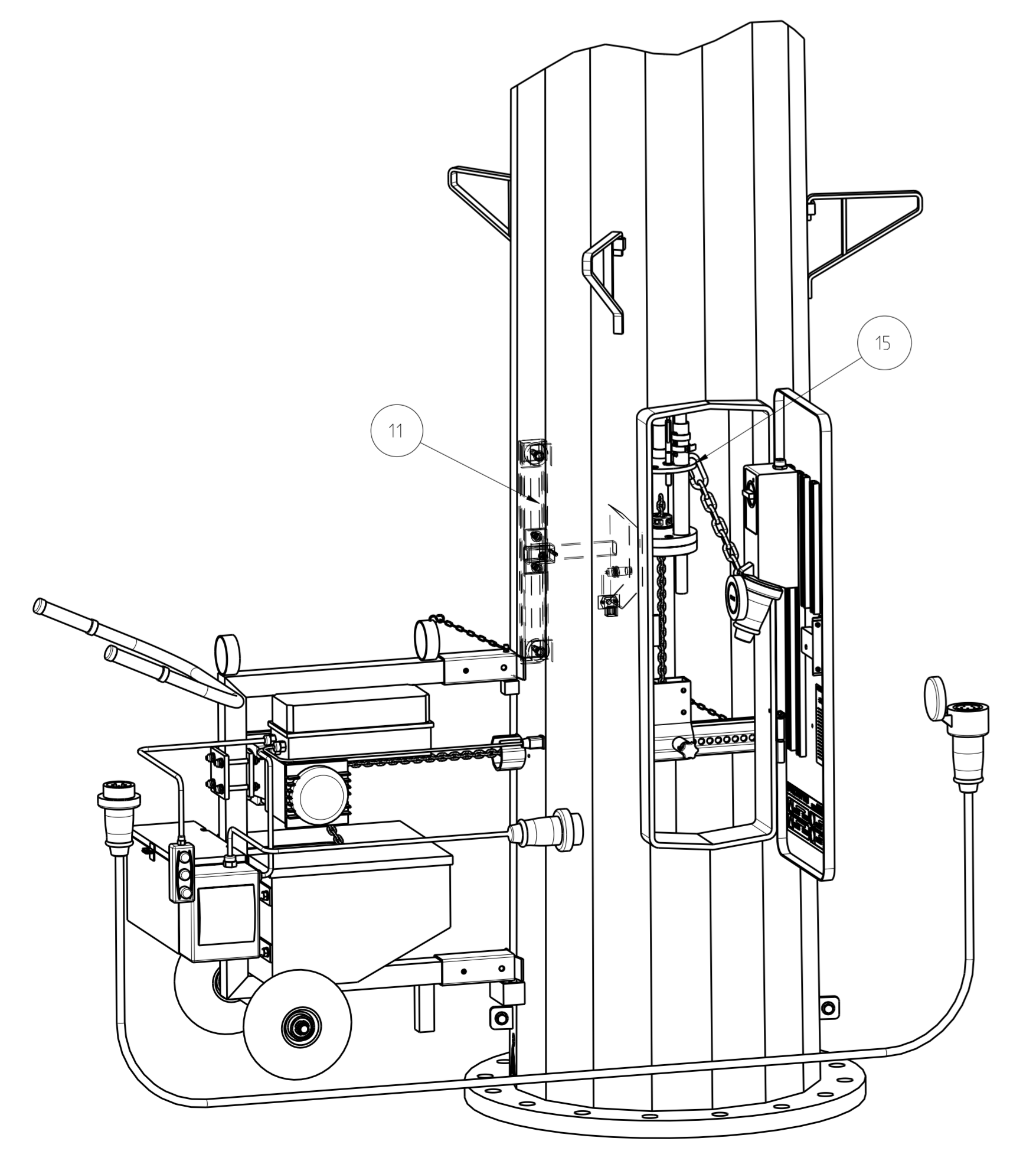
HEADFRAME MOBILE CROWN
SCALE 1:10



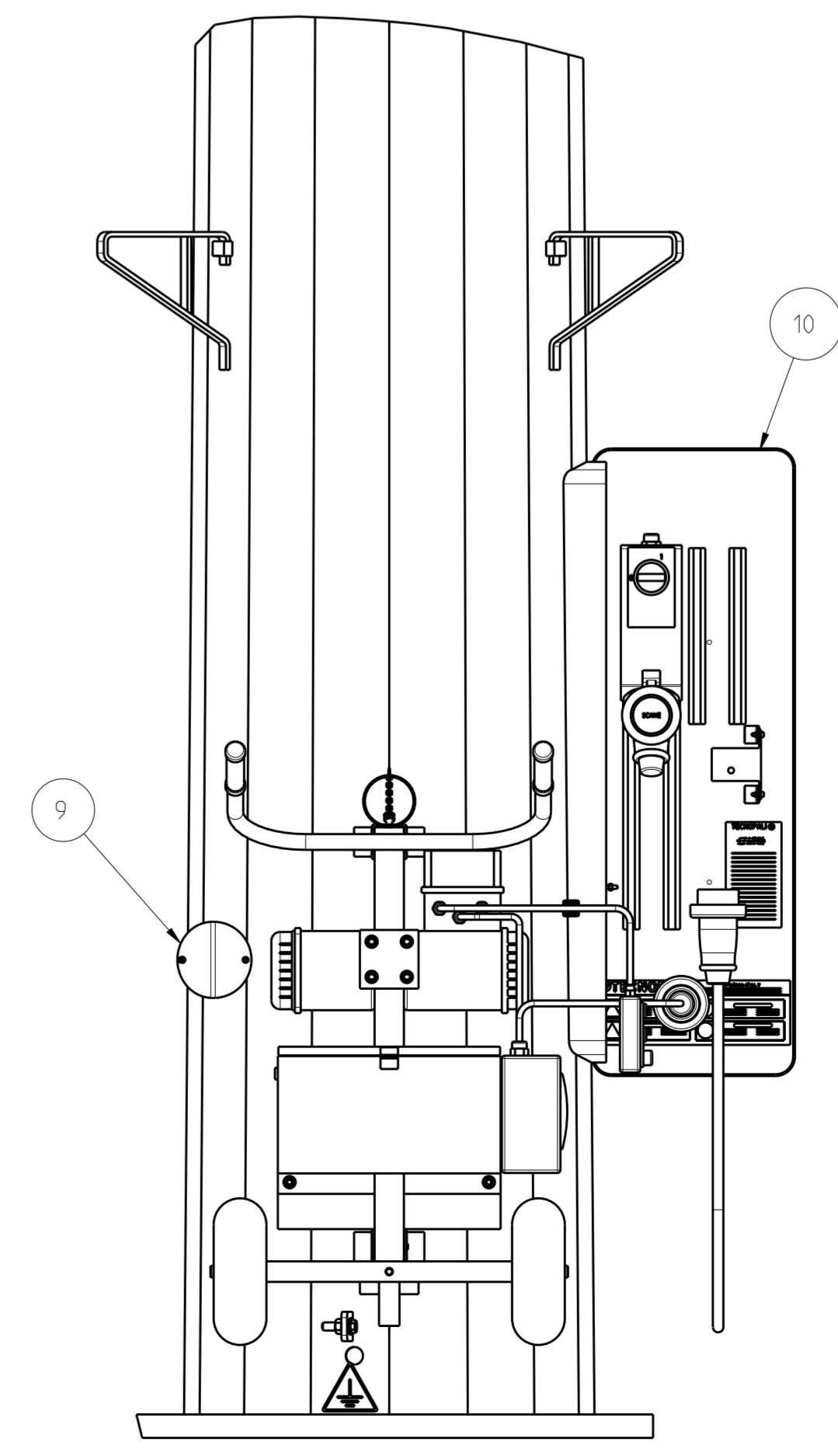
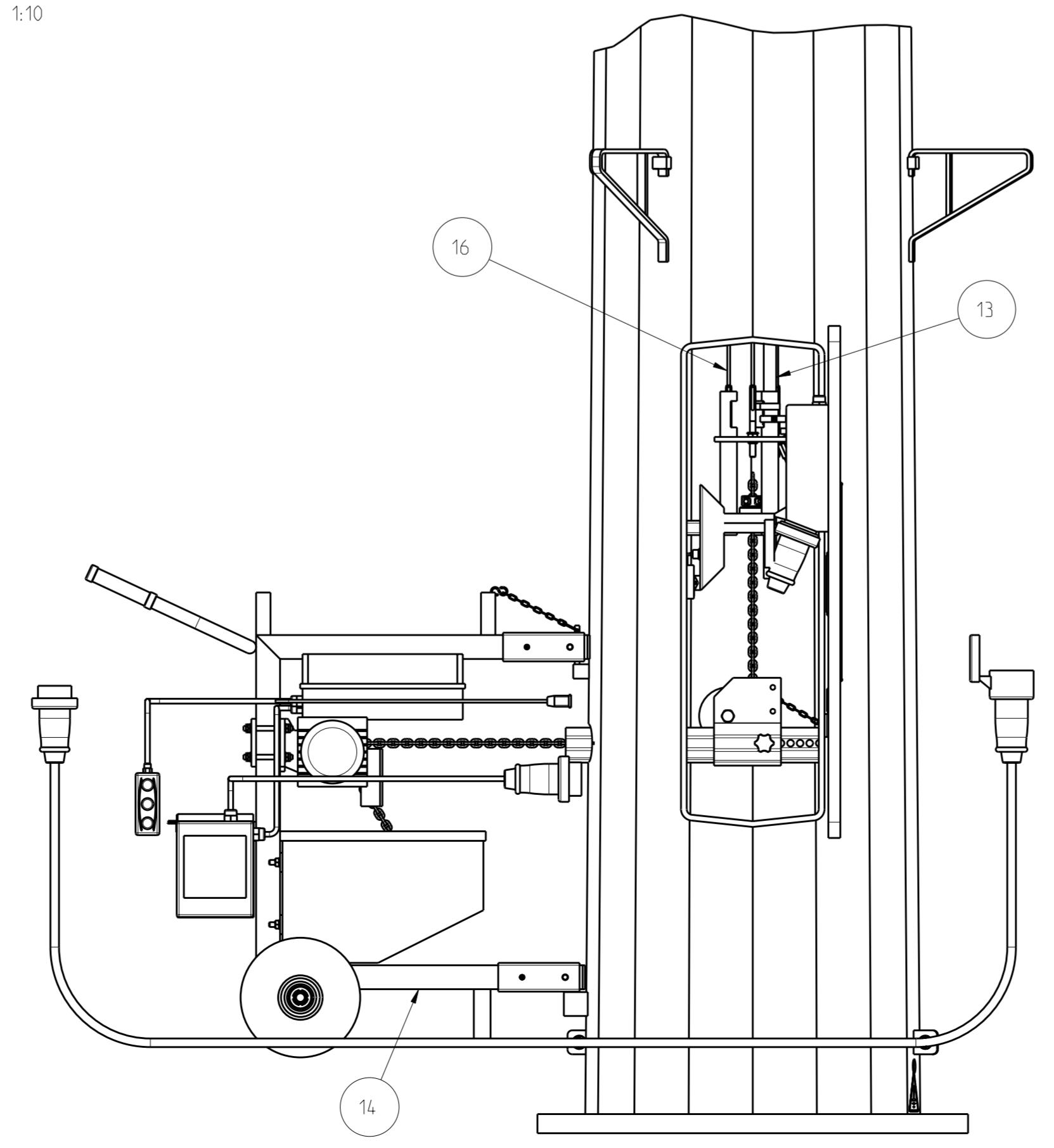
FLOODLIGHTS POSITION
SCALE 1:10



DETAIL A
SCALE 1:4



SYSTEM WITH ELECTRICAL TRAILER-MOUNTED UNIT
SCALE 1:10



POS.	CODICE	Q.TA	MATERIALE	DESCRIZIONE	PESO (kg)	TOT. (kg)
18	S260C0000000088	5	none	Floodlight box	16.0	80.0
17	S250C0000000030	5	none	Floodlight SM711 1000W	23.0	115.0
16	GSF1010000000002	3	Iron	Iron plate 10x10x10	6.0	18.0
15	GD01000000000006	1	GS400/12	Distributor	0.0	0.0
14	GSV10000000000236	1	Fe360B	Electrical trailer mounted unit	118.0	118.0
13	GSV1500000000011	1	GS00WA	Electrical cable	23.0	23.0
12	GTAL0000000000004	1	Fe360B	Headframe	87.0	87.0
11	GSR0000000000004	1	Fe360B	Limit switch sensor	4.0	4.0
10	GPR2000000000004	1	Fe360B	Inspection door	15.0	15.0
9	GP1200000000000	1	Fe360B	Cover	0.5	0.5
8	GPP1000000000000	2	Fe360B	Weight	9.0	18.0
7	GW0100000000067	1	Polyester	Distribution box	1.7	1.7
6	GHA2000000000006	5	Fe360B	Floodlight fixing	0.4	1.9
5	GHA1000000000001	5	Fe360B	Floodlight box support	0.9	4.6
4	GFH1000000000016	1	FE510B	High mast 30m	1554.0	1554.0
3	GEC1000000000000	1	Fe360B	Distribution box support	2.3	2.3
2	GSB1000000000004	1	Fe360B	Floodlight carriage	58.0	58.0
1	GAB1500000000006	5	Fe360B	Floodlight bracket	7.0	35.0

TECNOPALI
 torrefaro mobile CM 30_1
 DATA: 10-Mar-09
 DIMENSIONI IN MM: 2294.000 Kg.
 SCALA: 1:40
 SISTEMA CERTIFICATO ISO 9001 - CERTIFIED SYSTEM ISO 9001 TOLLERANZA SECONDO UNI ISO 22768-1 GRADO MEDIO
 BLOMEX 160077
 5